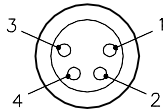
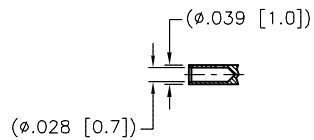
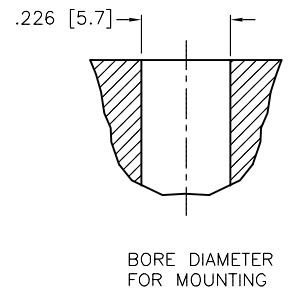
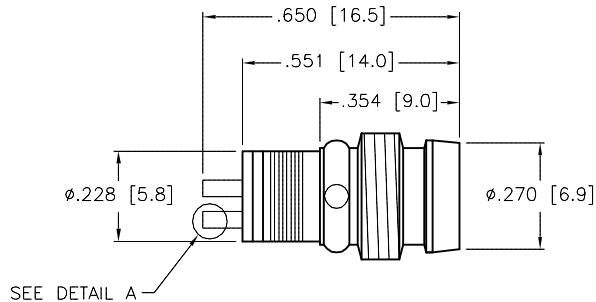
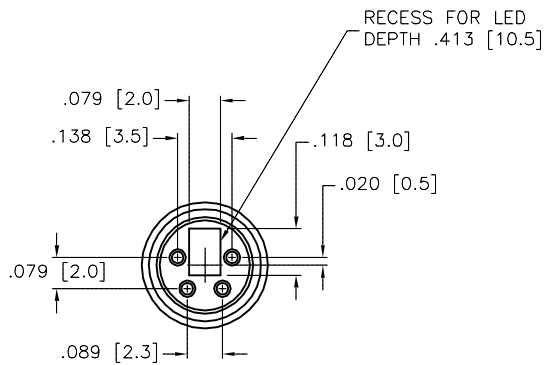


MALE END VIEW



SPECIFICATIONS

CONTACT CARRIER MATERIAL/COLOR	NYLON/CLEAR
CONTACT MATERIAL/PLATING	BRASS/GOLD
HOUSING MATERIAL/PLATING	BRASS/GOLD
RATED CURRENT [A]	4.0 A
RATED VOLTAGE [V]	36 VDC/ 30 VAC
TEMPERATURE RANGE	-30°C to +80°C (-22°F to +176°F)
MAXIMUM WIRE SIZE	26 AWG



DETAIL A  
SCALE 2.5=1

SOURCE DRAWING - FOR REFERENCE ONLY

RELATED DOCUMENTS 1. 2. 3. 4.	3RD ANGLE PROJECTION 	THIS DRAWING IS CONFIDENTIAL AND THE PROPERTY OF TURCK INC. USE OF THIS DOCUMENT WITHOUT WRITTEN PERMISSION IS PROHIBITED.		3000 CAMPUS DRIVE MINNEAPOLIS, MN 55441 1-800-544-7769 (763) 553-7300 (763) 553-0708 fax www.turck.us		
	MATERIAL	ALL DIMENSIONS DISPLAYED ON THIS DRAWING ARE FOR REFERENCE ONLY	DRFT IK	DATE 04/12/99	DESCRIPTION ESGM 4L (10/BAG)	
			APVD	SCALE 1=.5		
	FINISH	CONTACT TURCK FOR MORE INFORMATION	UNIT OF MEASUREMENT <b>INCH [ MILLIMETER ]</b>		IDENTIFICATION NO. E3009	REV A
DO NOT SCALE THIS DRAWING		FILE: E3009		SHEET 1 OF 1		

A	DRAWING RELEASE	IK	04/12/99	
REV	DESCRIPTION	BY	DATE	ECO NO.